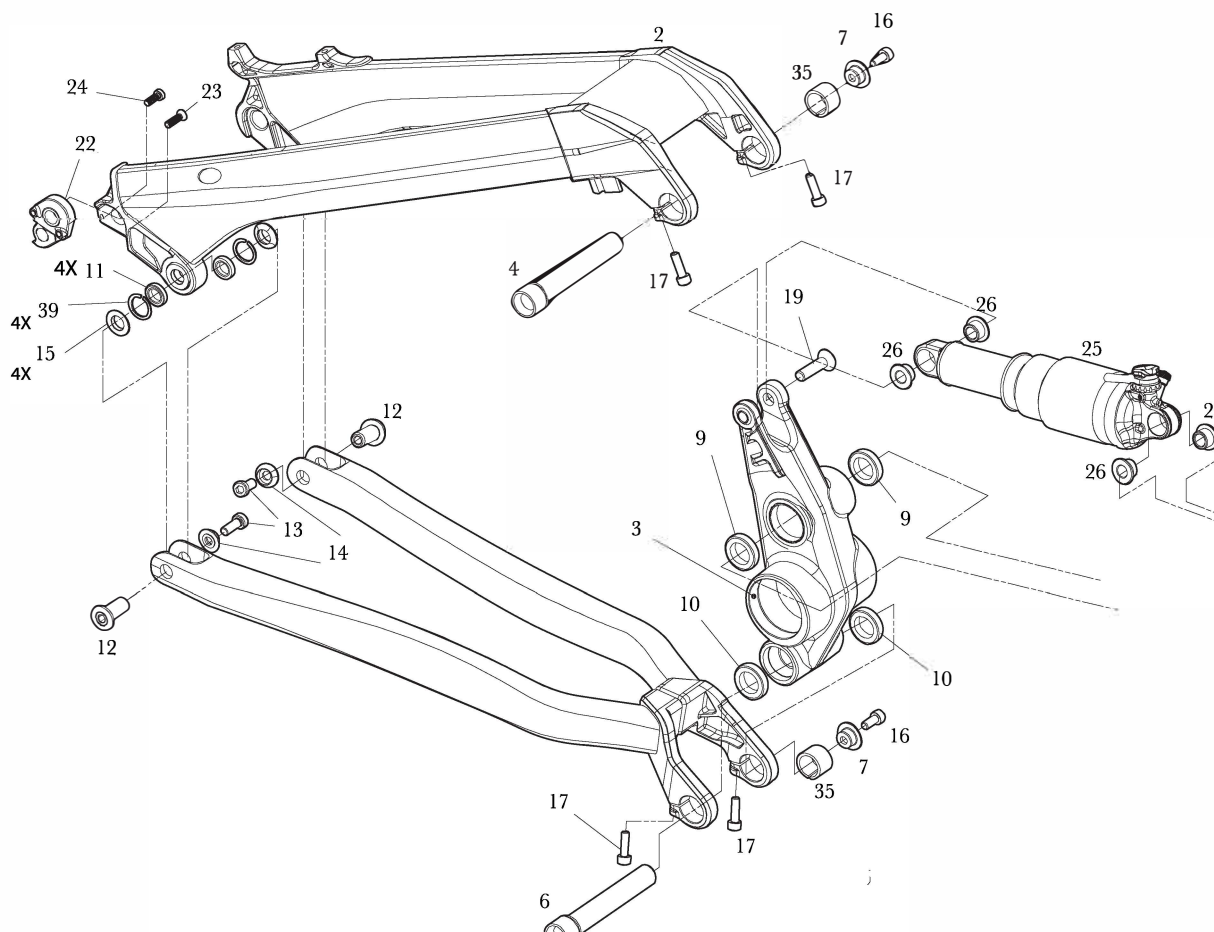


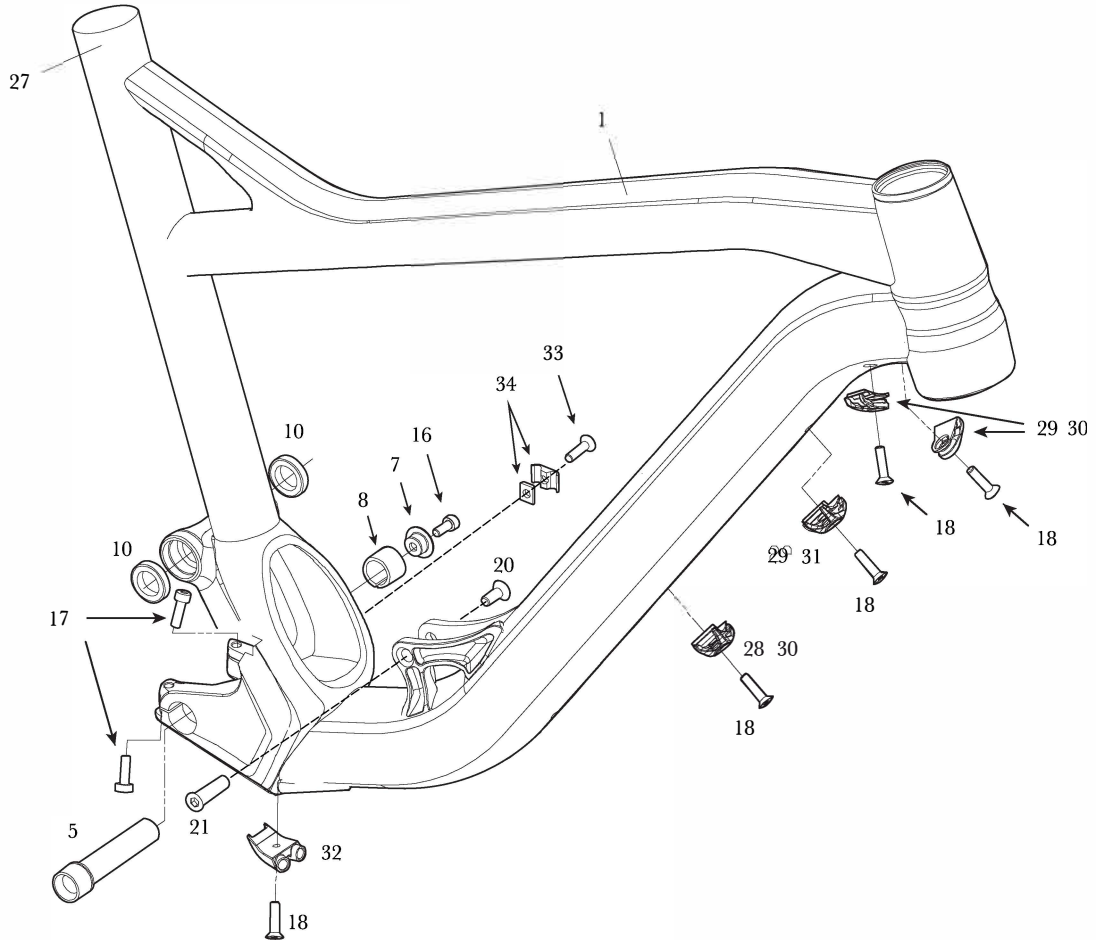
FORCE (2016)

Model	2016 FORCE
Rear Travel	150mm
Headtube	upper 1 1/8, lower 1 1/2
Bottom Bracket	73mm
Front Derailleur	Direct Mount, Front-Pull
Seat Post Dia./Binder	34.9mm/38.1mm
Max Tire	2.5"
Max Fork Length	160mm
Shock eye to Eye/Stroke	7.5/2
Sag	25%-33%
ISCG	N/A
Rear Brake Mount	Post Mount 160mm
Rear Dropout	142mm
Intended Use	ASTM 4, All Mountain



CODE	DESCRIPTION	ITEM (QTY)
FRGT701	KIT BEARING FORCE SENSOR	10(4X), 9(2X)
FRGT702	KIT HARDWARE 1 SS BB LINK	4, 16, 7, 35, 17(2X)
FRGT704	KIT HARDWARE 2 CS BB LINK	6, 7, 16, 35, 17(2X)
FRGT705	KIT HARDWARE 3 CS SS ALLOY	12(2X), 13(2X), 14(2X), 11(4X), 15(4X), 39(4X)
FRGT706	KIT HARDWARE 3 CS SS CARBON	
FRGT250	KIT DERR HANGER FORCE SENSOR	22, 23, 24
FRGT251	KIT DERR HANGER (SHIMANO) D TYPE	
FRGT707	KIT HARDWARE 4 BB LINK FT	5, 8, 17(2X), 7(3X), 16(3X)

FORCE (2016)



CODE	DESCRIPTION	ITEM (QTY)
FRGT703	KIT SHOCK BOLTS FORCE SENSOR	19, 20, 21
FRGT708	KIT CABLE GUIDE FORCE SENSOR	32, 34, 29(2X), 31(2X), 28(3X), 30(3X), 18(7X)
FRGT710	SEATBINDER GT 31.8MM	27
FRGT712	KIT SAG INDICATOR FORCE	FORCE SPECIFIC
FRGT713	KIT SAG INDICATOR SENSOR	SENSOR SPECIFIC
	KIT FRONT DERR MOUNT CRB FORCE/SENSOR	FORCE AND SENSOR CARBON SPECIFIC
FRGT717	KIT BARREL NUT M6 POST MOUNT (10X)	FORCE AND SENSOR CARBON SPECIFIC
FRGT711	KIT MUDGUARD FORCE SENSOR	
FRGT709	KIT CABLE GUIDE PIPE (10X)	