

10 July 2019

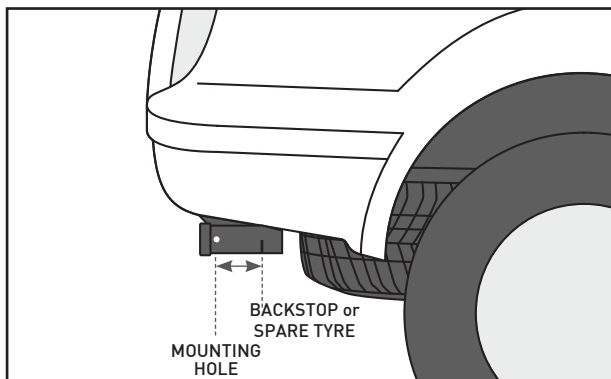
### ATB #8 - HangOver Key Mounting Measurements

Below are the key mounting measurement requirements for the HangOver 4 and HangOver 6.

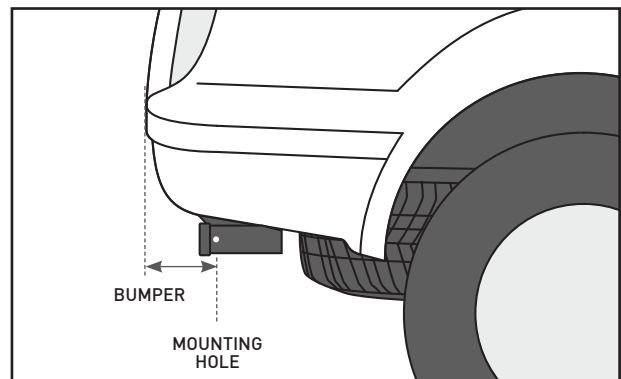
If you're uncertain about any of these needs, please contact Yakima Australia via the below means.

Model	A	B	C	D
HangOver 4	Min 77mm	Max 203mm	Max 330mm	Min 254mm
HangOver 6	Min 77mm	Max 203mm	Max 330mm	Min 305mm

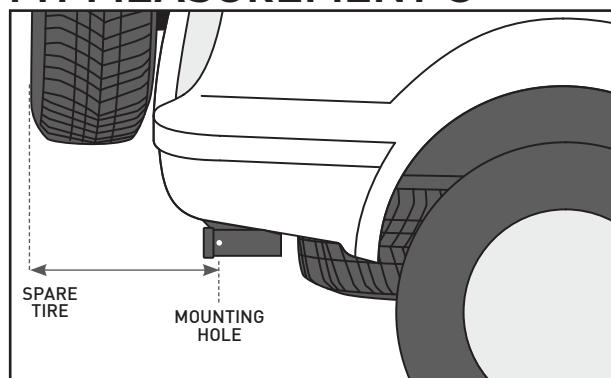
#### FIT MEASUREMENT A



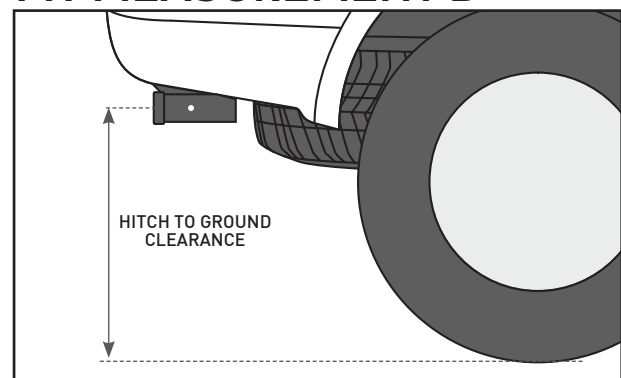
#### FIT MEASUREMENT B



#### FIT MEASUREMENT C



#### FIT MEASUREMENT D



# YAKIMA

**YAKIMA AUSTRALIA PTY. LTD**  
 17 HINKLER COURT  
 BRENDALE  
 QLD 4500  
 AUSTRALIA

[www.yakima.com.au](http://www.yakima.com.au)  
[sales@yakima.com.au](mailto:sales@yakima.com.au)  
 1800 143 548

[www.yakima.co.nz](http://www.yakima.co.nz)  
[sales@yakima.co.nz](mailto:sales@yakima.co.nz)  
 0800 4776 722