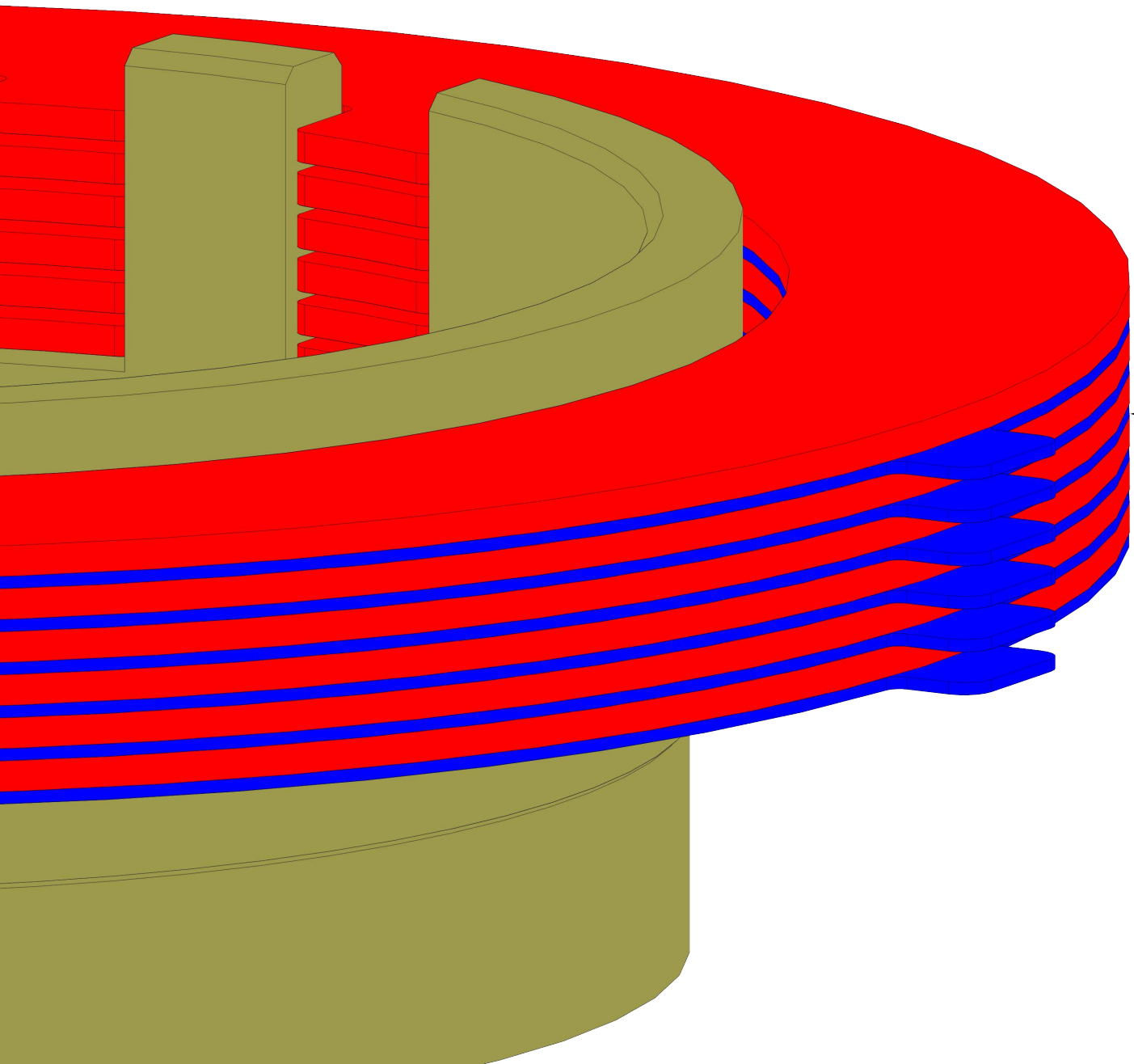


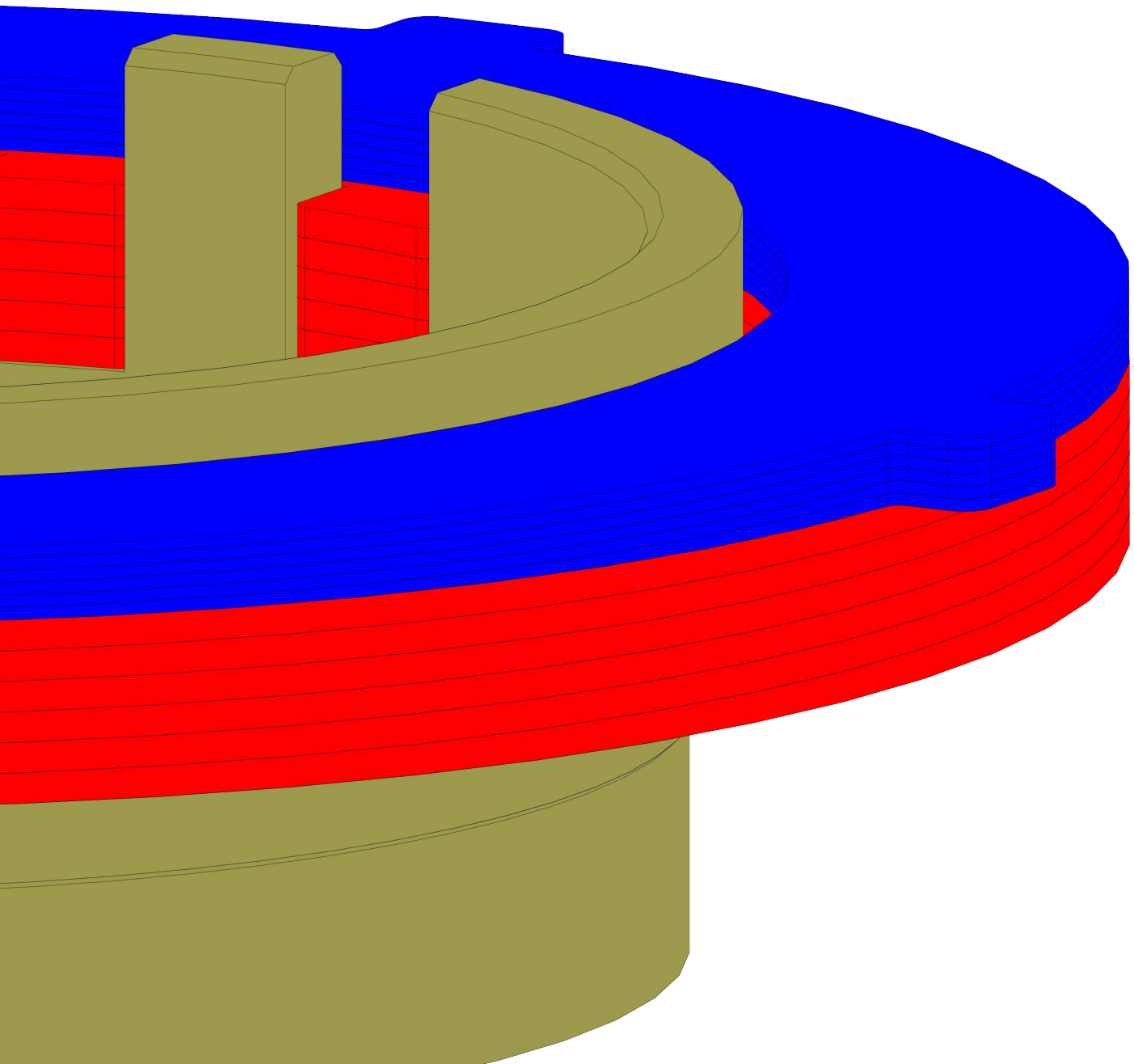
Mid-Range Steering Damping  
6 Friction Surfaces





MAX Steering Damping  
11 Friction Surfaces





MIN Steering Damping  
1 Friction Surface

