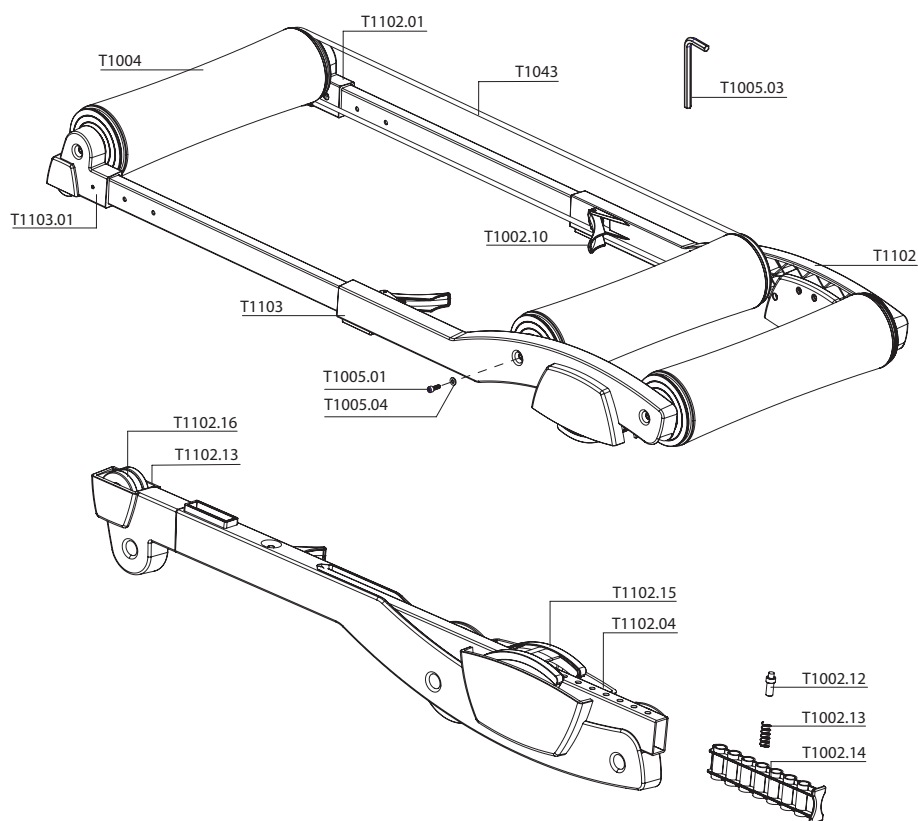




T1100.50



T1005



- T1002.10** Lever Antares/Galaxia
- T1002.12** Spring pen Antares/Galaxia
- T1002.13** Spring Antares/Galaxia
- T1002.14** Spring holder Antares/Galaxia
- T1004** Roller Antares/Galaxia, complete
- T1005** Fitting kit Antares/Galaxia
- T1005.01** Screw M6 x 16
- T1005.03** Allen Key 5 mm
- T1005.04** Ring M6
- T1043** Drive belt, silver
- T1100.50** Manual set Galaxia
- T1102** Frame Galaxia, right complete
- T1102.01** Front leg Galaxia, right
- T1102.04** Cap for Galaxia swing
- T1102.13** Cap for Galaxia front leg
- T1102.15** Swing Galaxia, complete
- T1102.16** Wheel Galaxia, complete
- T1103** Frame Galaxia, left complete
- T1103.01** Front leg Galaxia, left

T2790

60 x 50,5 x 19

12,2 kg