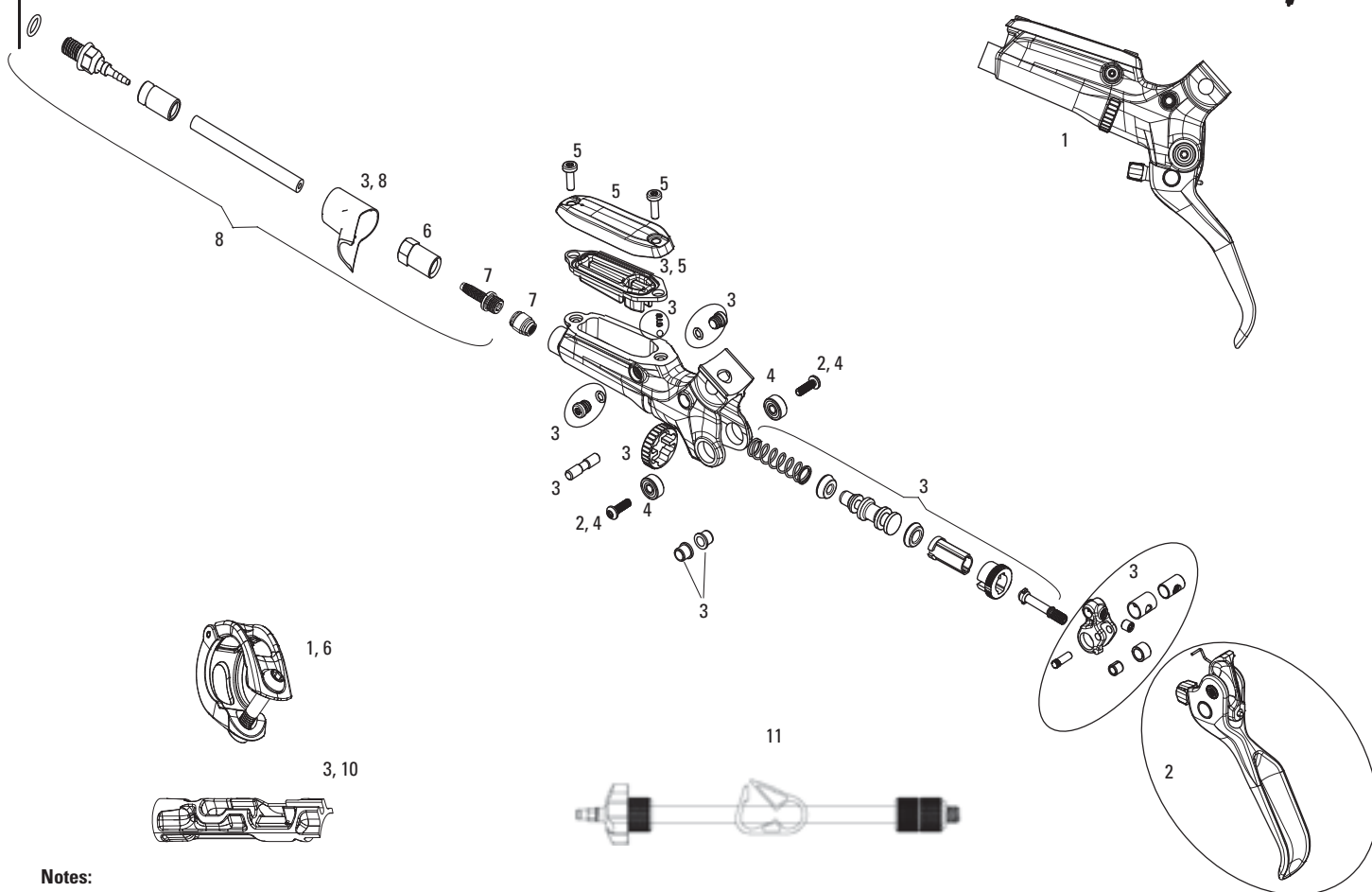


## GUIDE ULTIMATE - HYDRAULIC DISC BRAKE - LEVERS A1(2015-2017)



### Notes:

1. Lever Internals kit is pre-assembled
2. SRAM Tool Bleeding Edge needed to bleed Guide Ultimate brakes (ships in current SRAM Bleed kits)
3. SRAM Guide Lever Internals Assembly Tool needed to service lever internals
4. Aftermarket Guide Ultimate rear brakes come with SRAM Standard Brake Bleed Kit

## LEVER SPARES

No.	Part Number	Description
1	11.5018.004.030	Lever Assembly, Carbon lever, Hinged Clamp/MMX compatible, Artic Grey (assembled, no hose) - Guide Ultimate
1	11.5018.004.031	Lever Assembly, Carbon lever, Hinged Clamp/MMX compatible, Black Ano (assembled, no hose) - Guide Ultimate
2	11.5018.003.015	Lever Blade Carbon V2 Black - Guide Ultimate Qty 2
3	11.5018.005.005	Lever Internals Guide - RSC/Ultimate Qty 1
4	11.5018.023.000	Lever Bearing Kit (includes two 1/8x3/8x5/32 bearings and hardware) - Guide RSC/Ultimate/X0 Trail
5	11.5018.022.000	Reservoir Cap Kit (includes reservoir cap, bladder and hardware) - Guide R/RE/RS/RSC/Ultimate/DB5

## HYDRAULIC LINES & FITTINGS

6	11.5309.766.000	Hydraulic Disc Brake Compression Hose Nut, Qty 5
7	11.5378.803.002	Hydraulic Disc Brake Hose Fitting Kit (includes 5 threaded hosebarbs, 5 red comp fittings, 1 T8 Torx) Qty 5
7	11.5378.803.003	Hydraulic Disc Brake Hose Fitting Kit (includes 50 threaded hosebarbs, 50 red comp fittings, 1 T8 Torx) Qty 50
8	00.5016.168.150	Hydraulic Line Kit - S4 Caliper - Guide Ultimate/Guide RSC (B1)/Guide RS(B1)/Guide R (B1), 2000mm, Black, Qty 1
8	00.5016.168.160	Hydraulic Line Kit - S4 Caliper - Guide Ultimate/Guide RSC (B1)/Guide RS(B1)/Guide R (B1), 2000mm, White, Qty 1

## LEVER CLAMPS

9	11.5315.048.050	MMX Clamp, Silver, Lever (Stainless Steel Bolt T25) - Guide, Level, DB5 Elixir 9/7/CR Mag/X0/ XX, Qty 1
9	11.5315.048.060	MMX Clamp, Silver, Lever (Ti Bolt T25) - Guide, Level, DB5 Elixir 9/7/CR Mag/X0/ XX, Qty 1
9	11.5315.048.070	MMX Clamp, Black, Lever (Stainless Steel Bolt T25) - Guide, Level, DB5 Elixir 9/7/CR Mag/X0/ XX, Qty 1
9	11.5315.048.080	MMX Clamp, Black, Lever (Ti Bolt T25) - Guide, Level, DB5 Elixir 9/7/CR Mag/X0/ XX, Qty 1

## TOOLS

10	00.5318.015.000	SRAM Guide Lever Internals Assembly Tool (for setting pushrod distance and installing internals)
11	00.5318.015.001	SRAM Tool Bleeding Edge (works with Avid/SRAM Pro Bleed Kits) -S4/Monoblock Calipers, Guide Ultimate/RSC (B1)/RS (B1)/R (B1)/Level Ult/Level TLM