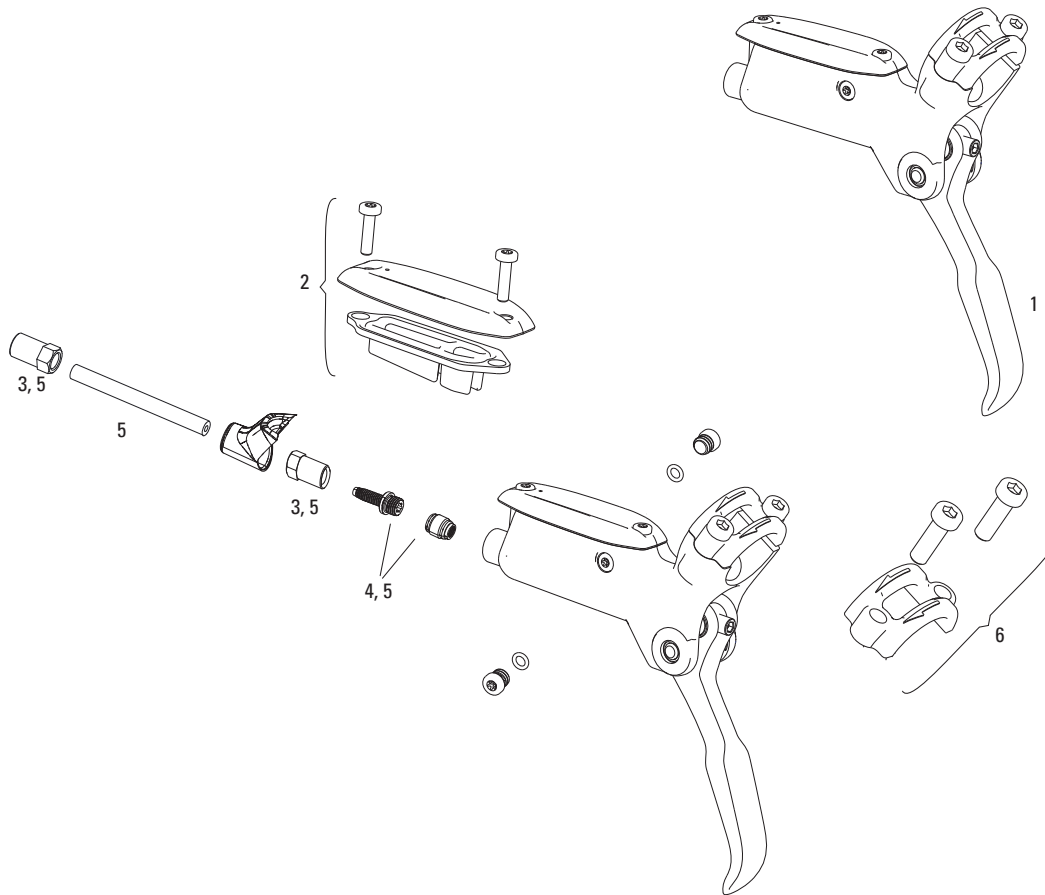


## LEVEL T - HYDRAULIC DISC BRAKE - LEVERS



### Notes:

1. Level T lever replaces DB3
2. T is for Tooled reach adjust.
3. Level brakes use new threaded barb and olive with T8 Torx tool.

## LEVER SPARES

No.	Part Number	Description
1	11.5018.004.033	Lever Assembly, Aluminum lever, Split Clamp, Dark Grey (assembled, no hose) - Level T (Tooled)
2	11.5018.022.001	Reservoir Cap Kit (includes reservoir cap, bladder and hardware) - Level Ultimate/TLM/TL/T/ Level

## HYDRAULIC LINES & FITTINGS

3	11.5309.766.000	Hydraulic Disc Brake Compression Hose Nut, Qty 5
4	11.5378.803.002	Hydraulic Disc Brake Hose Fitting Kit (includes 5 threaded hosebarbs, 5 red comp fittings, 1 T8 Torx) Qty 5
4	11.5378.803.003	Hydraulic Disc Brake Hose Fitting Kit (includes 50 threaded hosebarbs, 50 red comp fittings, 1 T8 Torx) Qty 50
5	00.5016.168.010	Hydraulic Line Kit - Code/Code R/Elixir 3/Elixir 1/Juicy 3/DB 3/DB 1/Level T/Level/Guide RE, 2000mm, Black, Qty 1
5	00.5016.168.020	Hydraulic Line Kit - Code/Code R/Elixir 3/Elixir 1/Juicy 3/DB 3/DB 1/Level T/Level/Guide RE, 2000mm, White, Qty 1

## LEVER CLAMPS

6	11.5015.029.030	Lever Split Clamp Kit, Black - Elixir 5/3, DB 3/1/Level T Qty 1 (Steel Hardware)
ns	00.5315.006.000	Matchmaker Pair