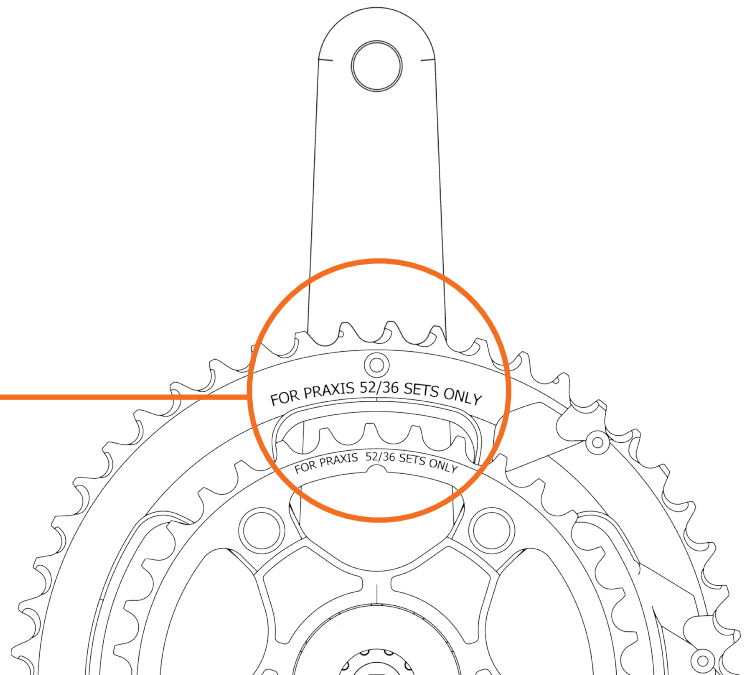


MOUNTING GUIDE



CORRECT MOUNTING
SUPPORT CORRECT
MONTAGGIO CORRETTO
MONTAJE CORRECTO
KORREKTE MONTAGE
CORRECTE STEUN
正確の掛接
画像としてインストールしなさい



THE GEARING MARKS MUST ALWAYS FACE THE FRAME AND ALIGN WITH THE CRANK ARM

ROAD



MTB



Praxis Works LLC

820 Swift St. Santa Cruz, CA 95060 | 831-423-7464 | info@praxis-works.com | www.praxis-works.com

MOUNTING GUIDE