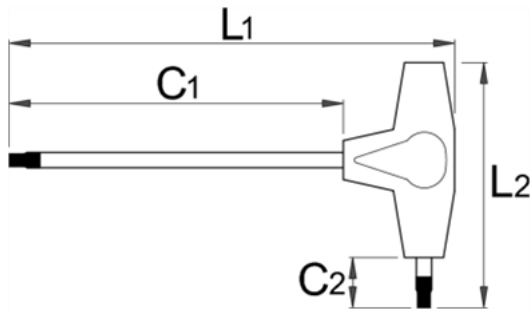


Ball - end hexagonal screwdriver with T - handle - 193HXS



Description

- material: blade - chrome vanadium, entirely hardened and tempered
- handle - polypropylene
- blade chrome plated, blacken tip

Technical Data

Barcode	Hex	L1	C1	C2	L2	Weight	Material	Blade	Tip
60827 6	2.5	155	125	15	61	13	4B	10	-
60827 7	3	155	125	15	61	16	4B	10	-
60827 8	4	155	125	15	61	25	4B	10	-
60827 9	5	188	150	20	88	56	4B	10	-
60828 0	6	188	150	20	88	72	4B	10	-
60828 1	8	223	175	25	113	153	4B	6	-
60828 2	10	248	200	25	113	234	4B	6	-

Barcode	Hex	Retail tool packaging				Transport package				
		Retail packaging in mm (length)	Retail packaging in mm (width)	Retail packaging in mm (height)	Weight	Material	Transport packaging in mm (length)	Transport packaging in mm (width)	Transport packaging in mm (height)	Weight
60827 6	2.5	215	61	25	23	4	91	230	62	152
60827 7	3	215	61	25	26	4	91	230	62	164
60827 8	4	215	61	25	35	4	91	230	62	200
60827 9	5	255	88	25	64	4	114	291	39	320
60828 0	6	255	88	25	80	4	114	291	39	385
60828 1	8	282	113	33	163	4	144	304	78	771
60828 2	10	307	113	33	242	4	119	404	65	1080