

Thank you for purchasing the STASH MULTI-TOOL.

Please read these instructions thoroughly before attempting to install this item.

Proper installation is required for safe riding. Contact us or a bike mechanic if you are not sure with certain steps.

TOOLS REQUIRED

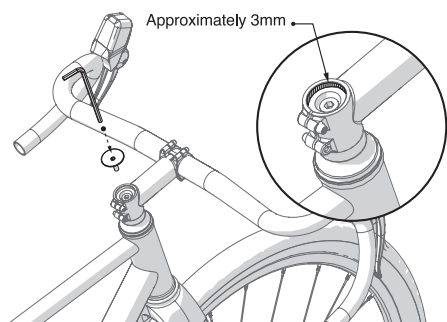
- Hex key 5mm (included in the package)
- Hex key 6mm (included in the package)
- Torque wrench

CONTENTS

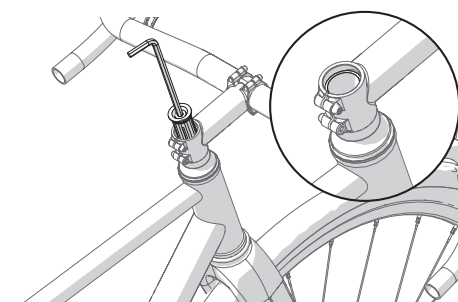
- | | | | | | |
|------------------|-------|-------|-------------------------|-------|------|
| · Multi-tool | | 1 SET | · Compression plug | | 1 PC |
| · Spoke key tool | | 1 PC | · M6 X 30mm socket bolt | | 1 PC |
| · Tool housing | | 1 PC | · Hex key 5mm | | 1 PC |
| · Top cap | | 1 PC | · Hex key 6mm | | 1 PC |

MULTI-TOOL INSTALLATION

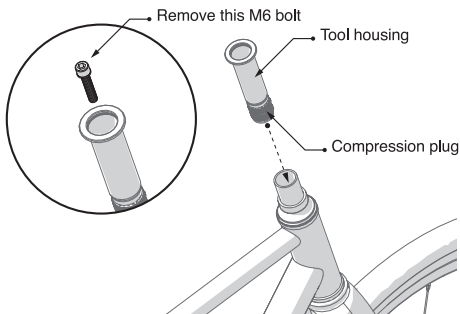
1. Remove the stem cap and make sure the steerer tube is lower than top of the stem or spacer by about 3mm.



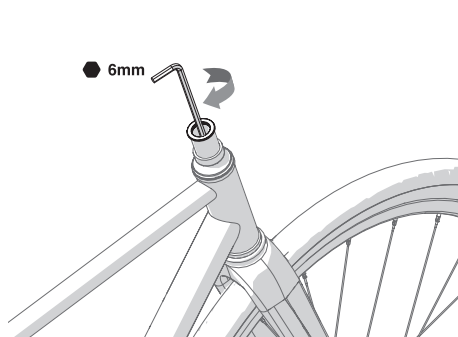
2. Remove the stem and the compression plug or star nut inside the steerer tube. Make sure the inside of the steerer tube is free from grease and debris.



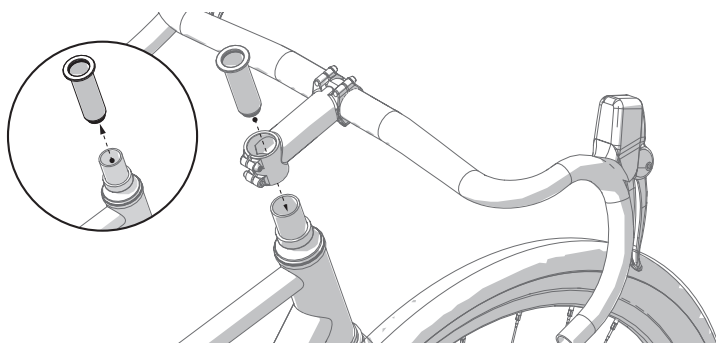
3. Remove the bolt from the tool housing. Insert the tool housing assembled with the compression plug into the fork steerer.



4. Tighten the compression plug to 8Nm with 6mm hex key.

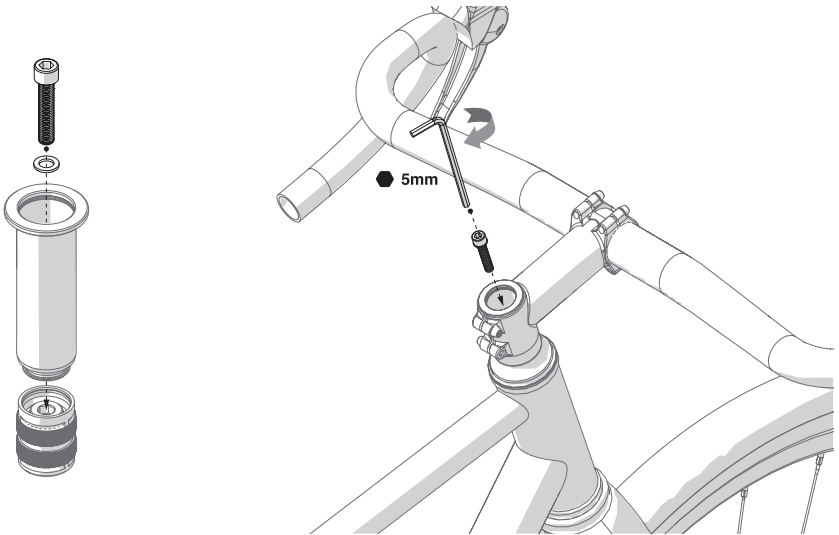


5. Pull out the tool housing and leave the compression plug within the steer tube. Install the stem then insert the tool housing back into the steerer tube.



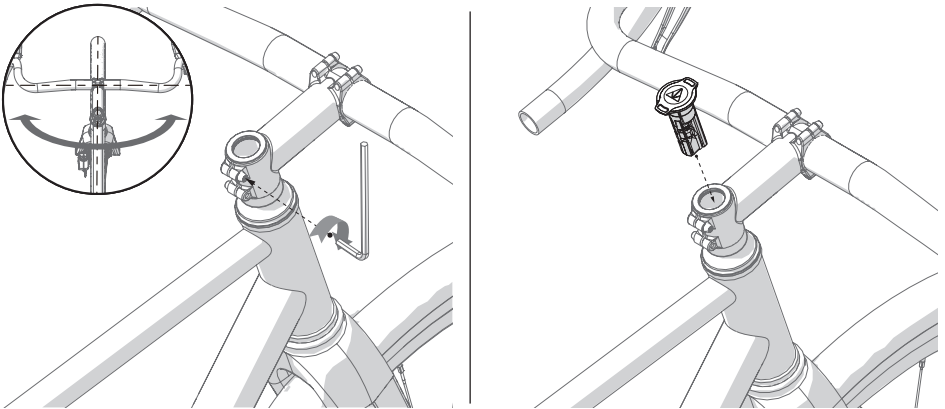
6. Insert the M6 bolt through the bottom of tool housing and thread the bolt into the compression plug.

Tighten the bolt with 5mm hex key. You just need to apply 1 to 2Nm torque to compress the headset and remove any slack with in the headset stack.



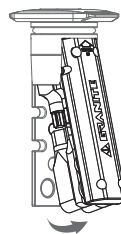
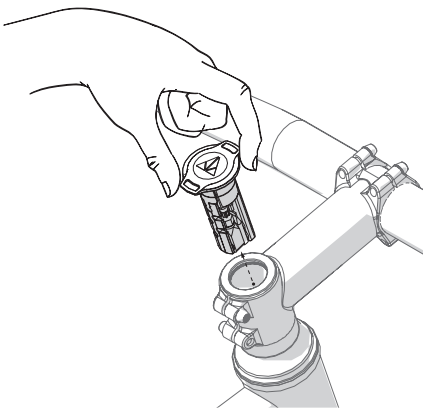
7. **▲ Adjust the handlebar alignment and tighten the stem bolts according to the stem's specification.**

8. Insert the multi-tool assembly and you're good to go!

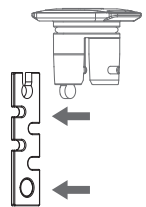


USAGE AND MAINTENANCE

▲ You should clean the tool regularly between uses. We suggest to apply a thin layer of oil onto the tool bits to prevent rust in humid condition.



Multi-tool



Spoke key tool