

Thank you for purchasing the STASH RT RATCHET TOOL KIT.

Please read these instructions thoroughly before attempting to install this item. Proper installation is required for safe riding. Contact us or a bike mechanic if you are not sure with certain steps.

TOOLS REQUIRED

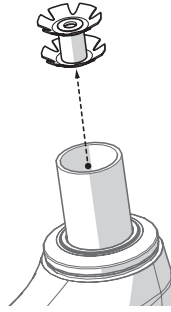
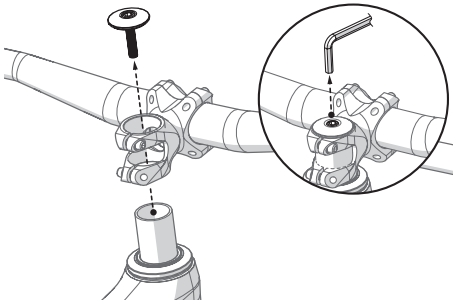
- Hex key 5mm

CONTENTS

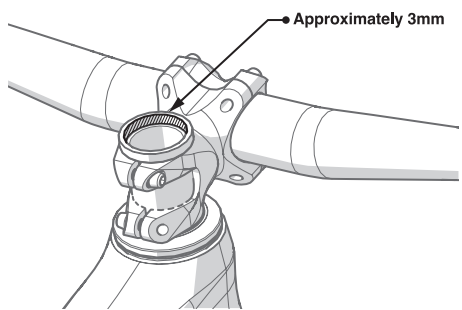
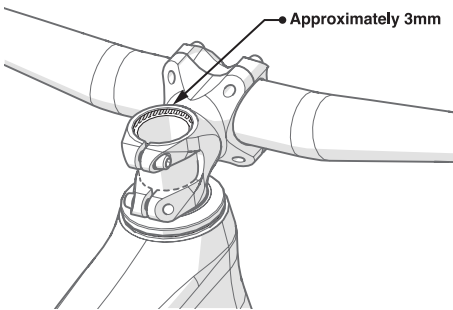
- Ratchet tool kit 1 SET
- Tool housing 1 SET
- Lower assembly 1 SET
- M6 socket bolts 1 SET
(50mm, 80mm, 110mm, Spacer)

MULTI-TOOL INSTALLATION

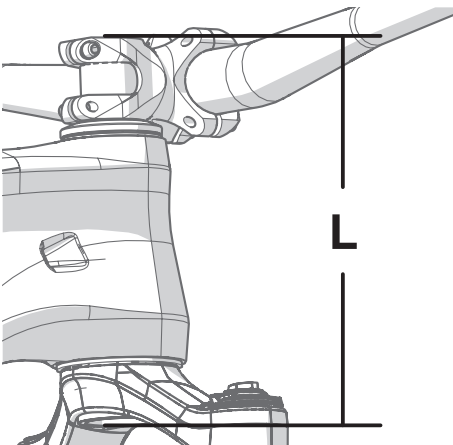
1. Remove the stem cap and stem to access the star nut inside the steerer tube.
2. Remove the star nut and clean the inside of the steerer tube.



3. Put the stem and spacers onto the steerer tube. Make sure the steerer tube is lower than the top of stem or spacer by about 3mm.



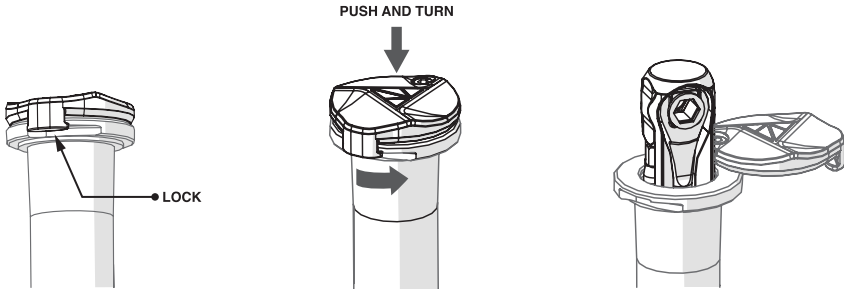
4. Measure the stack height between the top of stem to bottom of fork crown. Choose the proper M6 bolt according to the table below.



DIFFERENT BOLT LENGTH TO FIT DIFFERENT STEERER TUBE STACK HEIGHT.

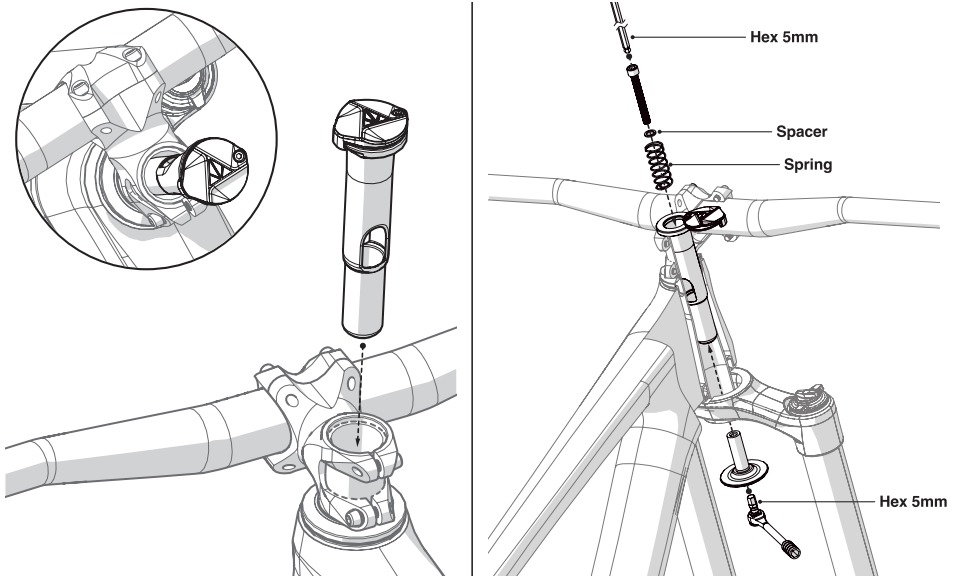
BOLT	L
50mm	170mm - 190mm
80mm	190mm - 220mm
110mm	220mm - 250mm

5. Push and turn the top cap to remove the ratchet tool kit from the housing.



6. Insert the tool housing into the steerer tube. Make sure the top cap bolt is on the right hand side. Insert the M6 bolt with spacer and spring through the bottom hole of the tool housing. Please note the spring must be pinned under the bolt and spacer.

7. Insert the lower assembly through the fork crown. Tighten the M6 bolt to compress the headset assembly to 2-3Nm torque. There should be no gap within the stem and headset stack and the headset should turn smoothly.



8. **▲ Align the stem to the front wheel and then tighten the stem bolts according to the stem manufacturer's instruction. Make sure the stem bolts are tightened before riding. Riding with a loose stem can result in serious accidents.**

9. When placing the tool bits on to the tool holder, **make sure the larger end of the bit is facing the center magnet and the M6 bit is placed at the lower section.** Put the ratchet tool kit into the housing and close the top cap.

