

Tools Required: 5 mm, 4 mm, 3 mm Allen keys

IB-RA4 Supplied Parts (see fig. 2)

- a Right mounting arm*
- b Left mounting arm*
- c Short bolts x 8
- d Strap hook plate x 2
- e Mounting legs x 2 (length adjustable)

IB-RA5 Supplied Parts (see fig. 3)

- a Right mounting arm*
- b Left mounting arm*
- c Short bolts x 6
- d Long bolts x 2
- e Washers x 2
- f Mounting legs x 2
- g Spacers x 2

*Length and width adjustable.

ASSEMBLE AND MOUNT CARRIER

1. Lightly grease all bolts.
2. Assemble right and left mounting arms (see fig. 1). Assemble mounting arms to carrier (see fig. 2, 3).
3. Adjust carrier leg length if necessary according to the wheel size of your bike (see fig. 4). With Allen key, undo and remove bolt. Slide legs to align appropriate bolt holes. Replace and retighten Allen bolts.

4A. For bikes without disk brakes (IB-RA4)

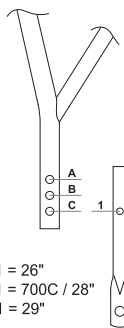
Place carrier over rear wheel. Bolt carrier legs to mounting holes at bottom of seat stays, but do not fully tighten. Top of carrier should be horizontal, and have adequate clearance over wheel (see fig. 5).

4B. For bikes with disk brakes (IB-RA5)

Place carrier over rear wheel. Place supplied spacer between carrier leg and disk brake (see fig. 3). Using longer bolt, bolt carrier legs to mounting holes at end of seat stays, but do not fully tighten. Top of carrier should be horizontal, and have adequate clearance over wheel (see fig. 5).

5. Adjust length and width of mounting arms: align arms with mounting holes at top of seat stays, tighten arm bolts on top and side of carrier (see fig. 1, 5).
6. Bolt carrier arms to seat stays, tighten well.
7. Tighten carrier leg bolts.

fig. 4 Adjust carrier leg length.



Warning

1. Max. load 25 kg (55 lb).
2. Do not carry people on carrier.
3. Ensure all bolts are tight before each use.
4. Ensure bags or other cargo is securely attached to carrier before using.

警告 (繁體中文) 1、本產品不可以載人 2、本產品最大載重25公斤(55磅) 3、每次使用前請確認所有的螺絲必須鎖緊 4、本產品配合包包使用時請注意包包需牢固組裝在上面。

警告 (簡體中文) 1、本產品不可以載人 2、本產品最大載重25公斤(55磅) 3、每次使用前請確認所有的螺絲必須鎖緊 4、本產品配合包包使用時請注意包包需牢固組裝在上面。

fig. 1

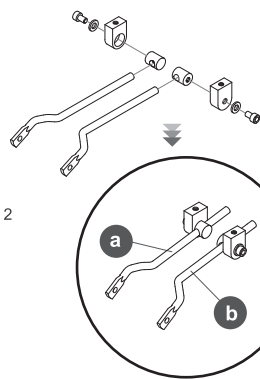


fig. 2

For bikes without disk brakes (IB-RA4)

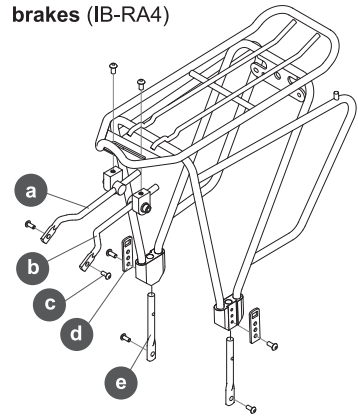


fig. 3

For bikes with disk brakes (IB-RA5)

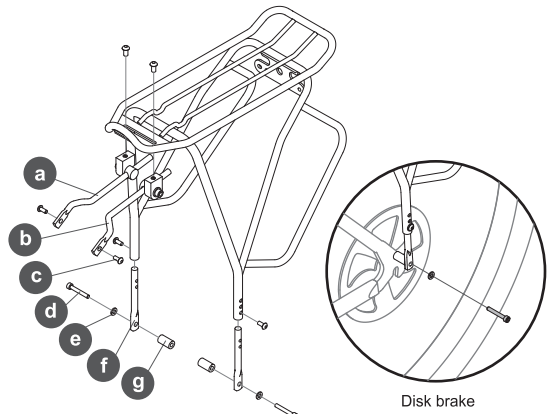
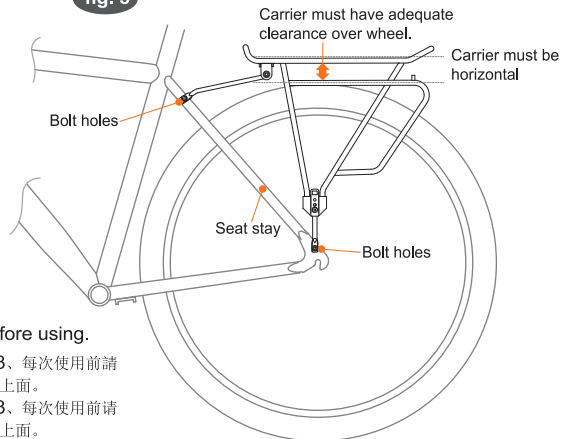


fig. 5



Limited Warranty

Ibera warrants this product for normal usage against workmanship, and material defects to the original purchaser for two year from purchase date. Products purchased online are not covered by this warranty unless purchased from an authorised Ibera online store. 1. User assumes all risk of personal injury, damage to or failure of the product when it is used in jumping, acrobatics or similar activities. 2. Warranty does not cover any incidental or consequential damages, such as personal injury or other losses due to accident, neglect, misuse, abuse, modification, normal wear and tear, improper care and cleaning, or failure to follow included instructions.

See other Ibera products at www.ibera.info

Ibera Co. Ltd.

Specifications subject to change without notice. Ibera is a trademark of Ibera Co. Ltd. All other trademarks are property of their respective owners. Copyright 2017 Ibera Co. Ltd. Made in Taiwan. Artwork: 5-2017.