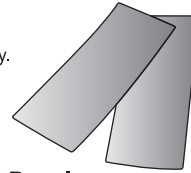


PakRak panniers use a locking-hook mechanism with a release lever. Compatible with most carriers (PakRak touring carriers, and other brands of touring carriers).

fig. 1

For IB-BA9 only.
只適用 IB-BA9



袋內有兩片PE板，請將它們裝在袋內兩側用魔鬼氈固定的口袋內。

Insert Side Panels

Pannier bags each contain two black side panels. These should be inserted in the two velcro enclosed side pockets on the inside of each bag.

Mounting & Detaching Bag

Both pannier bags are identical: either one can be attached to the left or right side of a carrier. They can be used as a set or singularly. Each bag has three hooks (see fig. 3). Two upper hooks have a locking mechanism. Lower hook is adjustable.

Attaching Pannier to Carrier

Attach top two hooks to second horizontal bar on side of carrier, and bottom hook with lower horizontal bar (see fig. 2). If necessary, using a 4 mm Allen key, loosen bolt and reposition hook—it slides laterally and rotates—to fit carrier (see fig. 3). Retighten bolt. Push down to clip in.

fig. 2

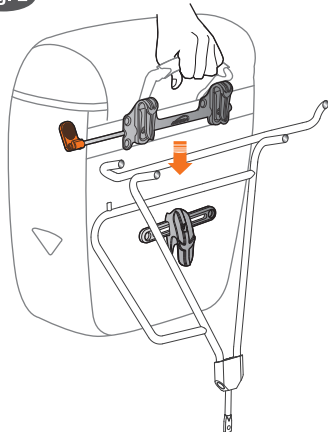
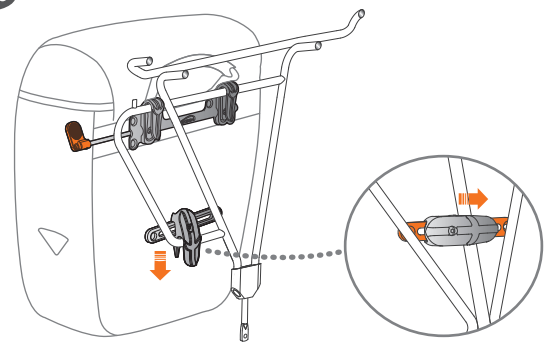
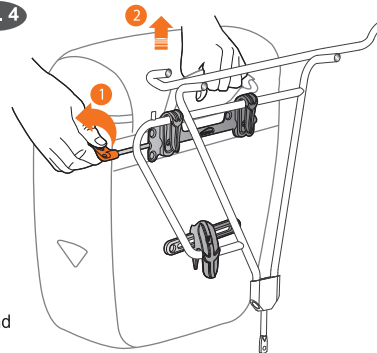


fig. 3



Adjustable (90°) angle clamp

fig. 4



Detaching Panniers to Carrier

To release pannier, pull lever on rear of bag towards bag while lifting off bag (see fig. 4).

Warning

1. PakRak panniers are compatible with PakRak carriers, and most other touring carriers.
2. Always make sure panniers are attached securely before using.
3. Panniers may be used singularly, but a pair of evenly loaded panniers provides better bike balance.
4. Do not use for off-road riding.

警告 (繁體中文) 1、此扣具系統可搭配IBERA品牌的系列貨架使用，也可搭配其他品牌的貨架 2、使用前需確認包包的固定掛鉤已確實固定於貨架上 3、為了騎車較好的平衡，建議同時使用2個包包 4、本產品不可使用於越野騎行 **警告 (簡體中文)** 1、此扣具系統可搭配IBERA品牌的系列貨架使用，也可搭配其他品牌的貨架 2、使用前需確認包包的固定掛鉤已確實固定於貨架上 3、為了騎車較好的平衡，建議同時使用2個包包 4、本產品不可使用於越野騎行

Limited Warranty

Ibera warrants this product for normal usage against workmanship, and material defects to the original purchaser for two year from purchase date. Products purchased online are not covered by this warranty unless purchased from an authorised Ibera online store. 1. User assumes all risk of personal injury, damage to or failure of the product when it is used in jumping, acrobatics or similar activities. 2. Warranty does not cover any incidental or consequential damages, such as personal injury or other losses due to accident, neglect, misuse, abuse, modification, normal wear and tear, improper care and cleaning, or failure to follow included instructions.

Ibera Co. Ltd.

Specifications subject to change without notice. Ibera is a trademark of Ibera Co. Ltd. All other trademarks are property of their respective owners. Copyright 2016 Ibera Co. Ltd. Made in Taiwan. Artwork: 10-2016.