

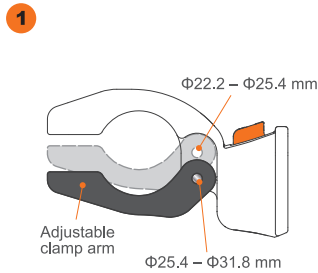
Instructions

Tools Required: 4 mm, 3 mm Allen keys.

Clamp Parts

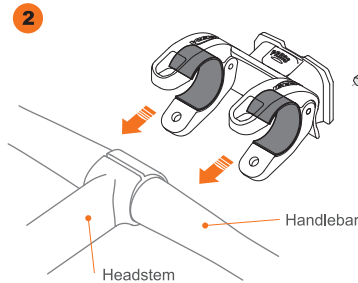
- 1 Allen bolt x 2,
- 2 Washer x 2
- 3 Sizing pin x 2
- 4 Rubber shim x 2
- 5 Headstem brace
- 6 Nut x 2

Adjust Clamp Size

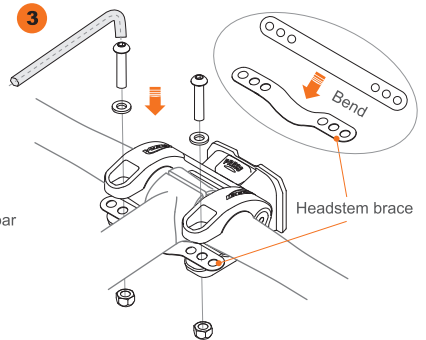


With 4 mm Allen key undo bolts. Remove bolts and washers. Clamp arms have two sets of matching pin holes for smaller or larger diameter handlebars – **default position suits most bars**. To change setting, push pins out with 3 mm Allen key. Reinsert pin into lower holes.

Install Clamp

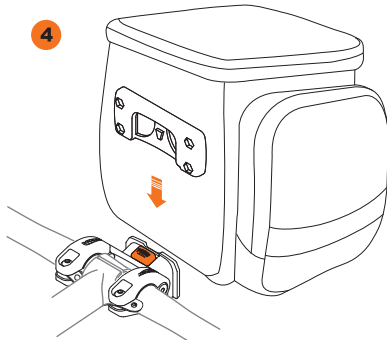


Position clamp on middle of handlebars, facing front, button-side up (rubber shims should be flush with clamp arms and sit flat on handlebars).

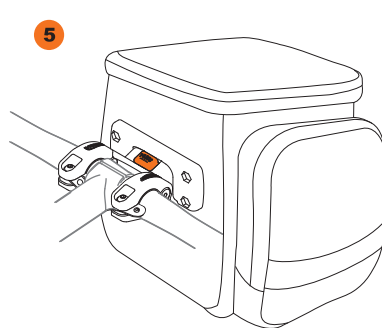


Place headstem brace under headstem. Align the brace's bolt holes with clamp bolt holes – bend brace to conform to headstem shape. Reinsert clamps bolts with washers. Tighten well.

Attach Bag

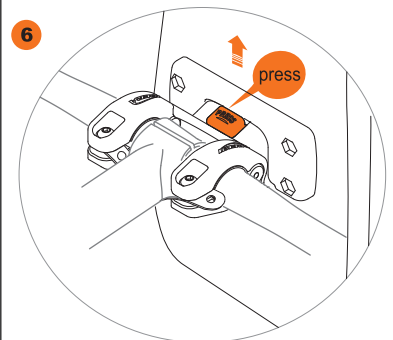


Align fitting on rear of bag with clamp mount.



Push bag down, sliding it until it locks into mount. When bag is attached correctly, there should be a distinctive 'click' sound.

Detach Bag



Press button release while pulling bag upwards with strap at rear of bag.

Limited Warranty

Ibera warrants this product for normal usage against workmanship, and material defects to the original purchaser for two year from purchase date. Products purchased online are not covered by this warranty unless purchased from an authorised Ibera online store. 1. User assumes all risk of personal injury, damage to or failure of the product when it is used in jumping, acrobatics or similar activities. 2. Warranty does not cover any incidental or consequential damages, such as personal injury or other losses due to accident, neglect, misuse, abuse, modification, normal wear and tear, improper care and cleaning, or failure to follow included instructions.

Warning Do not use for off-road riding. Detach shoulder strap when riding.

See other Ibera products at www.ibera.info

Ibera Co. Ltd.
Specifications subject to change without notice. Ibera is a trademark of Ibera Co. Ltd. All other trademarks are property of their respective owners. Copyright 2016 Ibera Co. Ltd. Made in Taiwan. Artwork: 5–2016.